

Industrial, Education, Hobbyist



LASERTECH

Cut & Engrave Series

CO2 LASER SYSTEM

Range Overview

Common Materials (Some Cut, Some Engrave)

**Timber Products * Acrylic * Paper/Card * Cork * Delrin * Leather * Kapton
Mylar * Fabric * Rubber (non Chlorine) Teflon * Magnetic Sheet
Glass * Stone/Slate/Marble** **And more...**

We have a whole range of extremely capable CO2 Laser Cutting and Engraving machines. Whether you are looking for a hobbyist desktop machine or a large format industrial grade laser. With our In-house developed system that combines excellent components with some of the the very best affordability in the industry.

With our Metal/Non Metal 90130 Lasertech, you also have the capability to cut metals such as mild and stainless steel (max of 2mm and 1mm respectively).

Easy to use and with our expert installation team you will be up and running in no time!

All of our CO2 Lasers come complete with software, extraction and expert installation. Our machines a highly popular with all types of industry and applications such as but not limited to:

Sign Making | Education | Engineering | Fabrication | Protoyping

Personalised Products | Crafters | Model Makers | Product Designers

Our Lasertech range is a high performance, fast and affordable system that won't break the bank, yet it comes with features and expert back-up that some of our competitors lack.

Bed Size Options

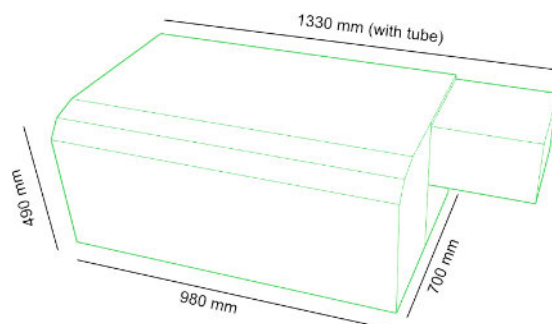
| Model | Width (mm) | Length (mm) | Z Height (mm) |
|--------------------------|------------|-------------|---------------|
| Lasertech Desktop | 300 | 500 | 180 |
| Lasertech 4060 | 400 | 600 | 300 |
| Lasertech 6090 | 600 | 900 | 300 |
| Lasertech 90130 | 900 | 1300 | 300 |
| Lasertech LF1325 | 1300 | 2500 | - |
| Lasertech LF1520 | 1500 | 2050 | - |
| Lasertech LF1525 | 1500 | 2500 | - |
| Lasertech LF2030 | 2050 | 3050 | - |

“**Designed with first class performance and affordability at heart, the Lasertech range is your perfect creative partner!**”.

Lasertech Desktop Laser

Weights & dimensions

| | |
|--------|---------------------|
| Weight | App 80kg |
| Length | 1330 mm (with tube) |
| Height | 490 mm |
| Depth | 700 mm |



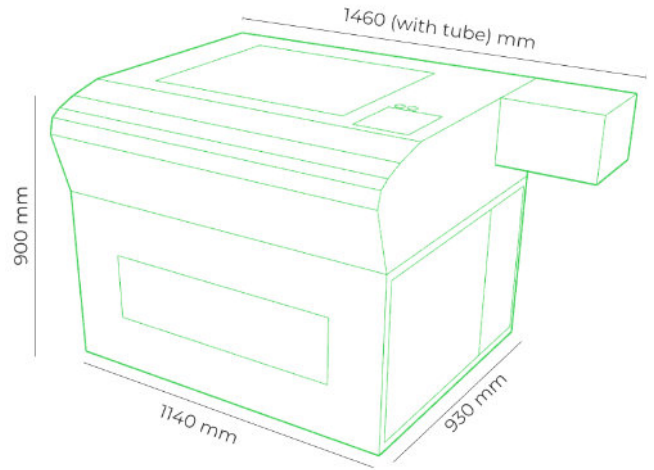
Standard Features & Equipment (Desktop)

| | |
|--------------------------|--|
| Bed Size | 300 x 500 mm honeycomb bed |
| Laser Tube | 60W water DC cooled laser tube |
| Air Assist | Removes debris, cools material, protects the focus lens. |
| Industrial Water Chiller | CW3000 included |
| Extraction | Fume extraction - fan and hosing included, vent to atmosphere type. Fume 'Filtration' (self contained unit is an optional extra) |
| Safety Accessories | Laser safety eyewear included. Proximity & interlock cabinet protection as standard. |
| Interface & Software | Windows USB connection, cable or memory stick (Wi-Fi optional). RDWorks CAD/CAM software included. |
| Delivery | UK mainland included (offloading and siting of the machine is the end users responsibility; we will however advise all our customers should they need assistance with this). |
| Installation | Our professional installation team will set up your new machine to the highest of standards. Please note you must have the correct electrical outputs installed pre installation (customer responsibility) - We will advise you on what is required. |
| Training | You will receive full training on the machine and it's safe operation including best practices and general software use. |
| Warranty | *12 months standard parts and labour warranty (6 months on the laser tube) with extended warranty periods available. |

Lasertech 4060 Laser

Weights & dimensions

| | |
|--------|---------------------|
| Weight | App 185kg |
| Length | 1460 mm (with tube) |
| Height | 900 mm |
| Depth | 930 mm |



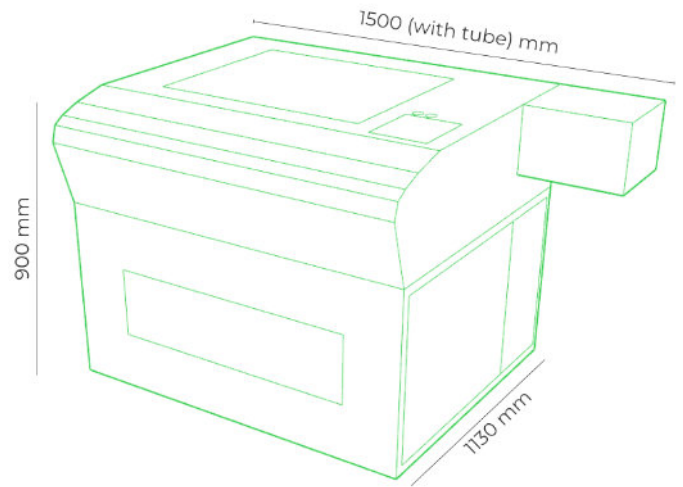
Standard Features & Equipment Model 4060

| | |
|--------------------------|--|
| Bed Size | 400 x 600 mm honeycomb & slat bed |
| Laser Tube | 60W water DC cooled laser tube (80W upgrade available) |
| Air Assist | Removes debris, cools material, protects the focus lens. |
| Industrial Water Chiller | CW3000 included (CW5000 upgrade available) |
| Extraction | Fume extraction - fan and hosing included, vent to atmosphere type. Fume 'Filtration' (self contained unit is an optional extra) |
| Safety Accessories | Laser safety eyewear included. Proximity & interlock cabinet protection as standard. |
| Interface & Software | Windows USB connection, cable or memory stick (WI-FI optional). RDWorks CAD/CAM included. |
| Delivery | UK mainland included (offloading and siting of the machine is the end users responsibility; we will however advise all our customers should they need assistance with this). |
| Installation | Our professional installation team will set up your new machine to the highest of standards. Please note you must have the correct electrical outputs installed pre installation (customer responsibility) - We will advise you on what is required. |
| Training | You will receive full training on the machine and it's safe operation including best practices and general software use. |
| Warranty | *12 months standard parts and labour warranty (6 months on the laser tube) with extended warranty periods available. |

Lasertech 6090 Laser

Weights & dimensions

| | |
|--------|---------------------|
| Weight | App 215kg |
| Length | 1500 mm (with tube) |
| Height | 900 mm |
| Depth | 1130 mm |



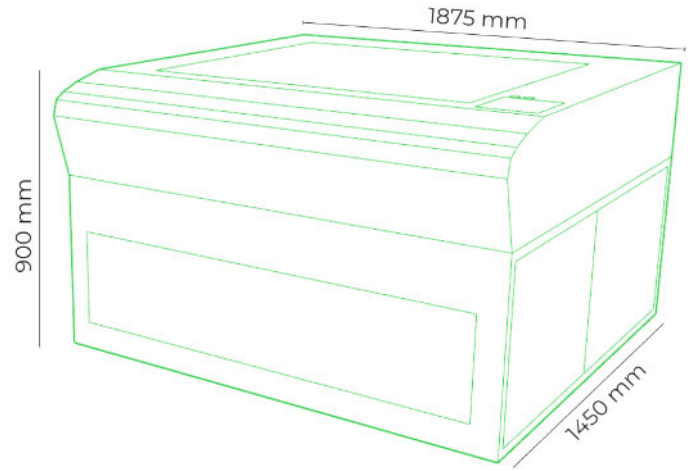
Standard Features & Equipment Model 6090

| | |
|--------------------------|--|
| Bed Size | 600x 900 mm honeycomb & slat bed |
| Laser Tube | 60W water DC cooled laser tube (80W upgrade available) |
| Air Assist | Removes debris, cools material, protects the focus lens. |
| Industrial Water Chiller | CW3000 included (CW5000 upgrade available) |
| Extraction | Fume extraction - fan and hosing included, vent to atmosphere type. Fume 'Filtration' self contained unit is an optional extra) |
| Safety Accessories | Laser safety eyewear included. Proximity & interlock cabinet protection as standard. |
| Interface & Software | Windows USB connection, cable or memory stick (WI-FI optional). RDWorks CAD/CAM included. |
| Delivery | UK mainland included (offloading and siting of the machine is the end users responsibility; we will however advise all our customers should they need assistance with this). |
| Installation | Our professional installation team will set up your new machine to the highest of standards. Please note you must have the correct electrical outputs installed pre installation (customer responsibility) - We will advise you on what is required. |
| Training | You will receive full training on the machine and it's safe operation including best practices and general software use. |
| Warranty | *12 months standard parts and labour warranty (6 months on the laser tube) with extended warranty periods available. |

Lasertech 90130 Laser

Weights & dimensions

| | |
|--------|---------------------|
| Weight | App 265kg |
| Length | 1875 mm (with tube) |
| Height | 900 mm |
| Depth | 1450 mm |



Standard Features & Equipment Model 90130

| | |
|--------------------------|--|
| Bed Size | 900 x1300 mm honeycomb & slat bed |
| Laser Tube | 80W water DC cooled laser tube (120W upgrade available) |
| Air Assist | Removes debris, cools material, protects the focus lens. |
| Industrial Water Chiller | CW3000 included (CW5000 upgrade available) |
| Extraction | Fume extraction - fan and hosing included, vent to atmosphere type. Fume 'Filtration' (self contained unit is an optional extra) |
| Safety Accessories | Laser safety eyewear included. Proximity & interlock cabinet protection as standard. |
| Interface & Software | Windows USB connection, cable or memory stick (WI-FI optional). RDWorks CAD/CAM included. |
| Delivery | UK mainland included (offloading and siting of the machine is the end users responsibility; we will however advise all our customers should they need assistance with this). |
| Installation | Our professional installation team will set up your new machine to the highest of standards. Please note you must have the correct electrical outputs installed pre installation (customer responsibility) - We will advise you on what is required. |
| Training | You will receive full training on the machine and it's safe operation including best practices and general software use. |
| Warranty | *12 months standard parts and labour warranty (6 months on the laser tube) with extended warranty periods available. |

Premium 12 months warranty included*

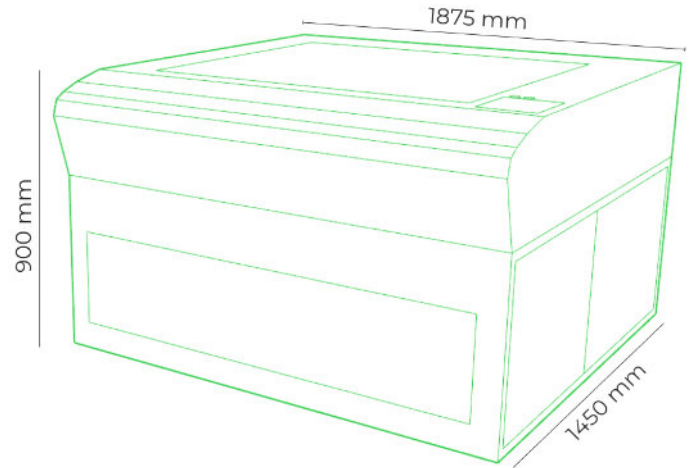
Lasertech CO2 Lasers

Specification continued

Lasertech Metal & Non Metal 90130 Laser

Weights & dimensions

| | |
|--------|---------------------|
| Weight | App 265kg |
| Length | 1875 mm (with tube) |
| Height | 900 mm |
| Depth | 1450 mm |



Standard Features & Equipment Model Metal/Non Metal 90130

| | |
|-----------------------------------|--|
| Bed Size | 900 x1300 mm honeycomb & slat bed |
| Laser Tube | 150W water DC cooled laser tube |
| Capacitive Material Height Sensor | Only applicable when cutting *metals. |
| Air Assist | Removes debris, cools material, protects the focus lens. |
| Industrial Water Chiller | CW5000 series |
| Extraction | Fume extraction - fan and hosing included, vent to atmosphere type. Fume 'Filtration' (self contained unit is an optional extra) |
| Safety Accessories | Laser safety eyewear included. Proximity & interlock cabinet protection as standard. |
| Interface & Software | Windows USB connection, cable or memory stick (WI-FI optional). RDWorks CAD/CAM included. |
| Delivery | UK mainland included (offloading and siting of the machine is the end users responsibility; we will however advise all our customers should they need assistance with this). |
| Installation | Our professional installation team will set up your new machine to the highest of standards. Please note you must have the correct electrical outputs installed pre installation (customer responsibility) - We will advise you on what is required. |
| Training | You will receive full training on the machine and it's safe operation including best practices and general software use. |
| Warranty | *12 months standard parts and labour warranty (6 months on the laser tube) with extended warranty periods available. |

*You need a source of Oxygen to utilise the metal cutting capabilities of the LS90130 M

Premium 12 months warranty included*

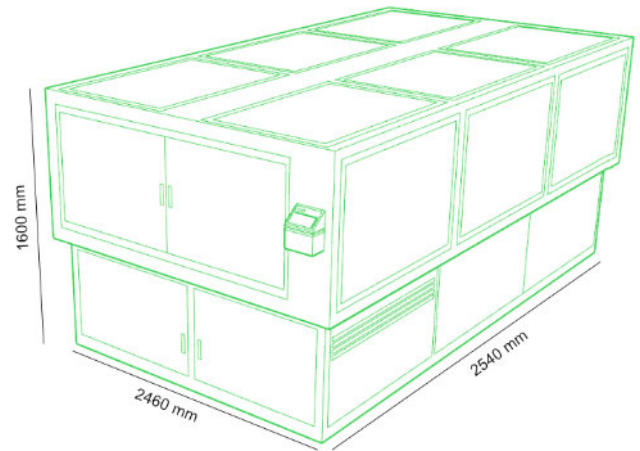
Lasertech CO2 Lasers

Specification continued

Lasertech LF1520 Laser

Dimensions

| | |
|--------|---------|
| Length | 2540 mm |
| Width | 2460 mm |
| Height | 1600 mm |



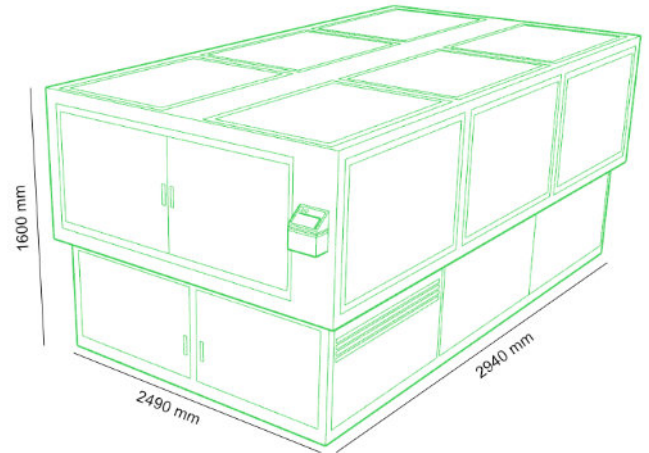
Standard Features & Equipment Model LF1520

| | |
|--------------------------|--|
| Bed Size | 1500 x 2000 mm slat type bed |
| Laser Tube | 150W water DC cooled laser tube |
| Air Assist | Removes debris, cools material, protects the focus lens. |
| Industrial Water Chiller | CW5200 chiller system included |
| Extraction Features | Fume extraction - fan and hosing included, vent to atmosphere type. Fume 'Filtration' (self contained unit is an optional extra). Unique zoned extraction system - as the machine traverses over the cutting table the extraction will lock off unused sectors, generating greater fume extraction supply over the current work area. Compressed air supply is required. |
| Safety Accessories | Laser safety eyewear included. Full cover protection unit. |
| Interface & Software | Windows USB connection, cable or memory stick (Wi-Fi optional). RDWorks CAD/CAM included. |
| Delivery | UK mainland included (offloading and siting of the machine is the end users responsibility; we will however advise all our customers should they need assistance with this). |
| Installation | Our professional installation team will set up your new machine to the highest of standards. Please note you must have the correct electrical outputs installed pre installation (customer responsibility) - We will advise you on what is required. |
| Training | You will receive full training on the machine and it's safe operation including best practices and general software use. |
| Warranty | *12 months standard parts and labour warranty (6 months on the laser tube) with extended warranty periods available. |

Lasertech LF1525 Laser

Dimensions

| | |
|--------|---------|
| Length | 2940 mm |
| Width | 2490 mm |
| Height | 1600 mm |



Standard Features & Equipment Model LF1525

| | |
|--------------------------|---|
| Bed Size | 1500 x 2500 mm slat type bed |
| Laser Tube | 150W water DC cooled laser tube |
| Air Assist | Removes debris, cools material, protects the focus lens. |
| Industrial Water Chiller | CW5200 chiller system included |
| Extraction Features | Fume extraction - fan and hosing included, vent to atmosphere type. Fume 'Filtration' (self contained unit is an optional extra). Unique zoned extraction system - as the machine traverses over the cutting table the extraction will lock off unused sectors, generating greater fume extraction over the current work area. Compressed air supply is required. |
| Safety Accessories | Laser safety eyewear included. Full cover protection unit. |
| Interface & Software | Windows USB connection, cable or memory stick (WI-FI optional). RDWorks CAD/CAM included. |
| Delivery | UK mainland included (offloading and siting of the machine is the end users responsibility; we will however advise all our customers should they need assistance with this). |
| Installation | Our professional installation team will set up your new machine to the highest of standards. Please note you must have the correct electrical outputs installed pre installation (customer responsibility) - We will advise you on what is required. |
| Training | You will receive full training on the machine and it's safe operation including best practices and general software use. |
| Warranty | *12 months standard parts and labour warranty (6 months on the laser tube) with extended warranty periods available. |

Premium 12 months warranty included*

Lasertech CO2 Lasers

Samples



What Will You Make? Call Us Today
Speak with one of our industry experts.

0121 541 1444